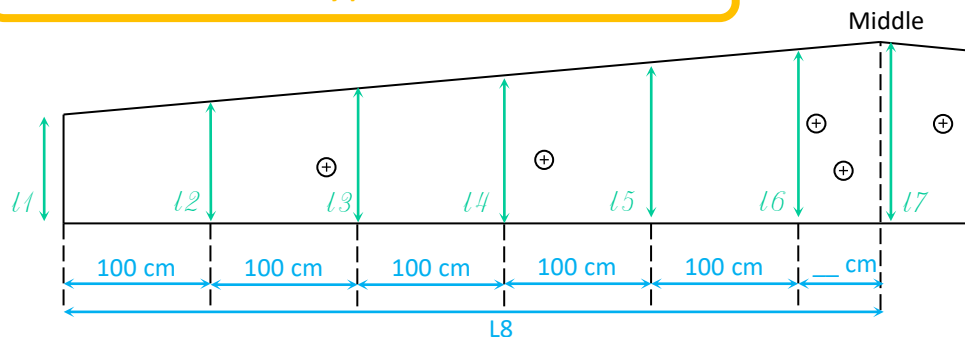


# MEASURE LEADING EDGE

Brand :	Model :	Size :	Year :
---------	---------	--------	--------

Complete the form and send it by e-mail to [contact@wanikou.com](mailto:contact@wanikou.com) or by post to the above address.



Measures	Dimension (length)	Dimension in cm (width)
<i>l1</i>	Width at extremity.	
<i>l2</i>	Width at 100 cm from extremity.	
<i>l3</i>	Width at 200 cm from extremity.	
<i>l4</i>	Width at 300 cm from the extremity or in the middle if the half bladder is shorter than 300 cm.	
<i>l5</i>	Width at 400 cm from the extremity or in the middle if the half bladder is shorter than 400 cm.	
<i>l6</i>	Width at 500 cm from the extremity or in the middle if the half bladder is shorter than 500 cm.	
<i>l7</i>	Width at middle of bladder if half bladder is longer than 500 cm.	
<b>L8</b>	Length of bladder from extremity to middle.	

## 1. Bladder dimension

### A. Locate the middle of the bladder by folding it in half.

1. Lay the bladder flat
2. Locate the middle of the bladder by folding it in half.
3. Mark the middle of the bladder with a marker pen
4. Measure the length of the half-bladder (L8).



### B. Measure bladder width every 100 cm.

Fill in the table using the diagram :

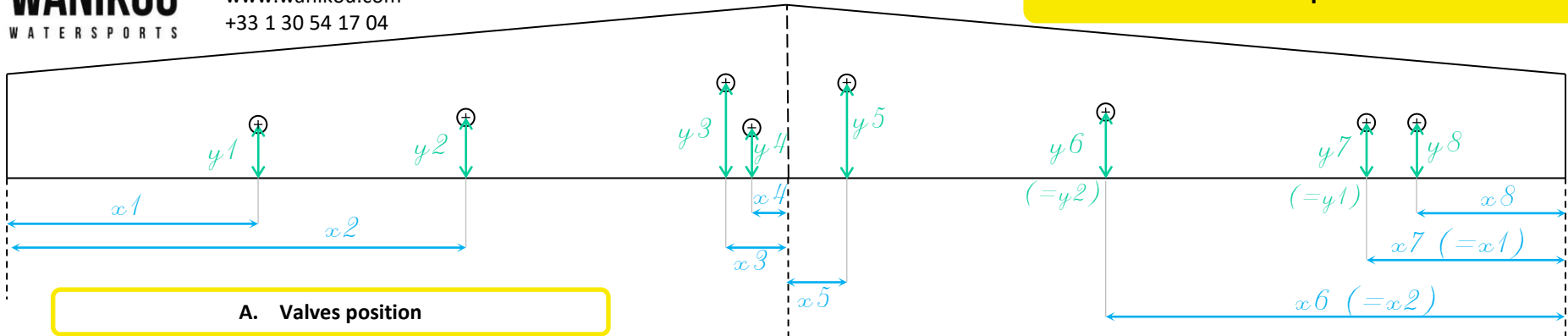
1. Measure its width at the extremity (*l1*)
2. Measure its width every metre up to the middle (*l2* to *l7*)



**NB :** Round the measurement to the top half centimeter.

# MEASURE LEADING EDGE

## 2. Valves positions



### A. Valves position

Fill in the table using the diagram :

Measure the position of all valves in relation to the 3 reference points shown on the diagram : the **extremity**, the **middle** end the **bottom edge** (uncurved) of the bladder.

**NB : Measure in relation to the valve axis (center of valve)**

### B. Valves orientation

Indicate in the table :

1. Position of open valve tabs (cap)
2. Direction of one-pump valves if elbowed



	inflation, etc...	
6	inflate	Bottom
14	one pump	Left
6	deflate	Right

Valve no.	Distance from extremity or middle (x)	Distance from bottom edge (y)	Valve type (One pump, Inflation, Deflation, etc...)	Open tab position or one-pump valve direction
1				
2				
3				
4				
5				
6				
7				
8				

Please send us a photo of the valves in the center of the bladder as shown above in complement to this document..